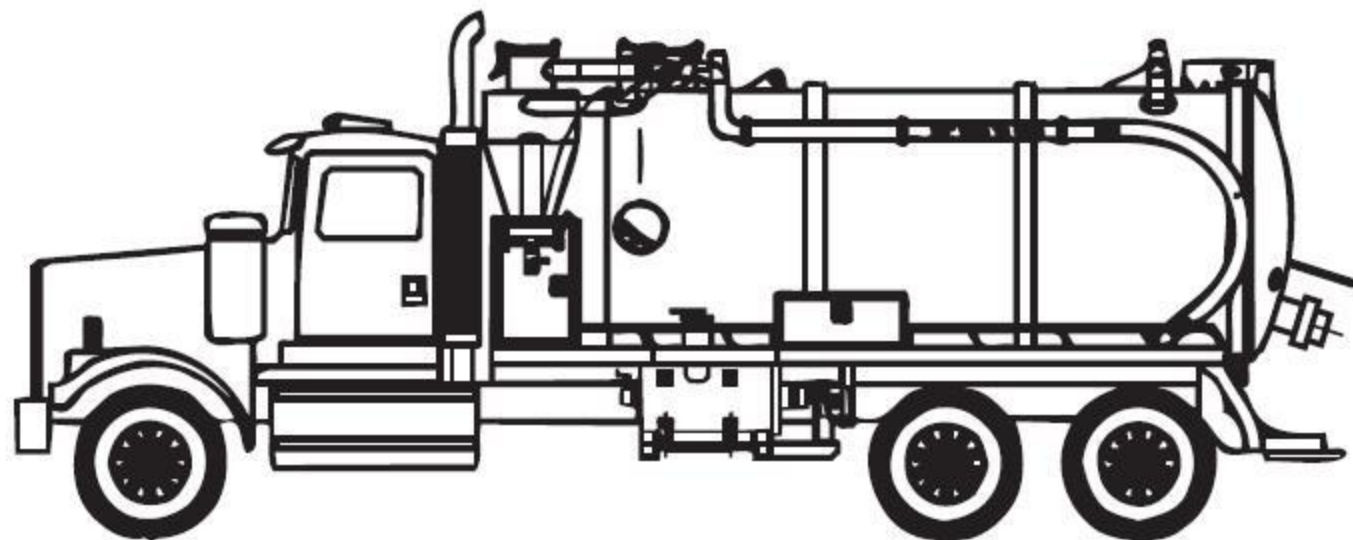
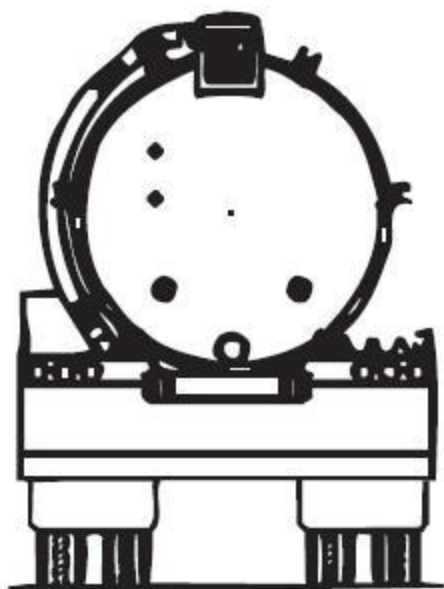


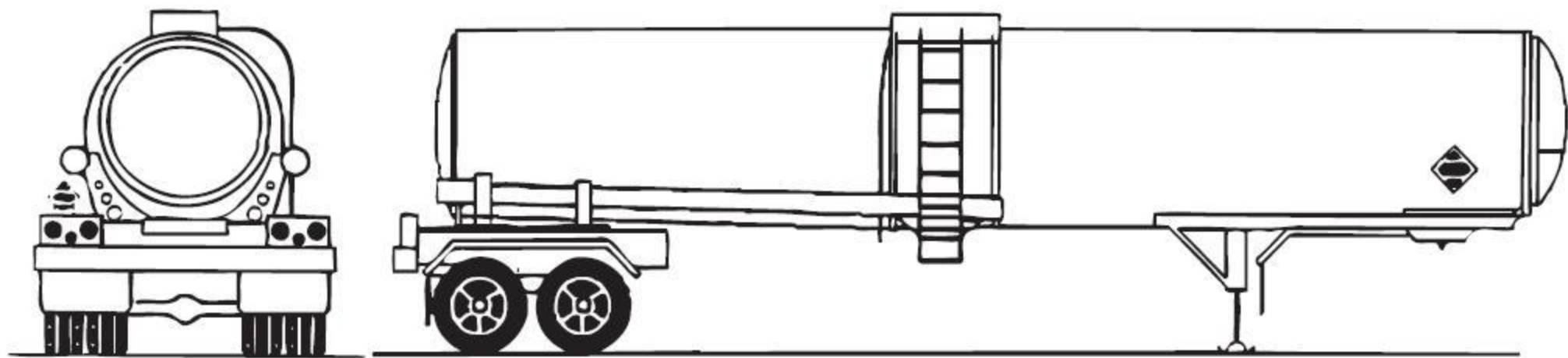
DOT406, TC406, SCT-306
Non-pressure Liquid Tank





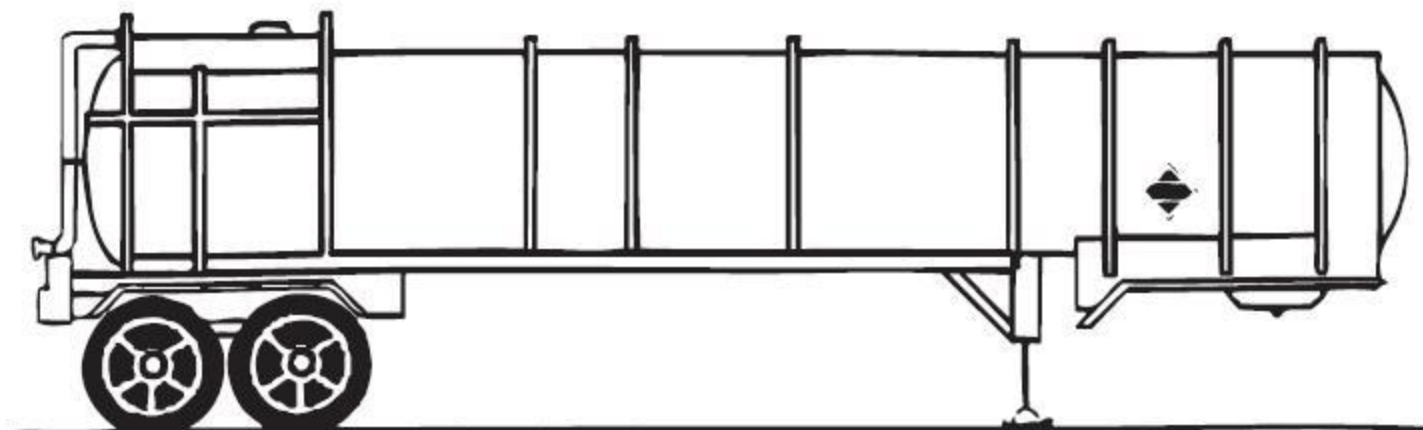
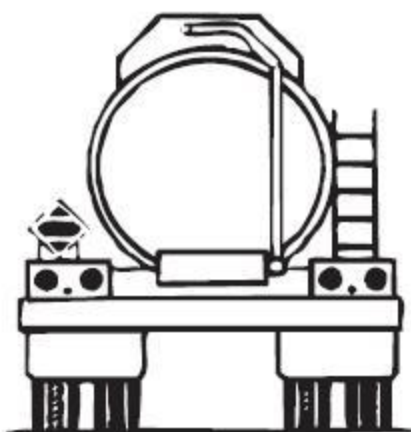
DOT407, TC407, DOT412, TC412
Vacuum Loaded Tank

137



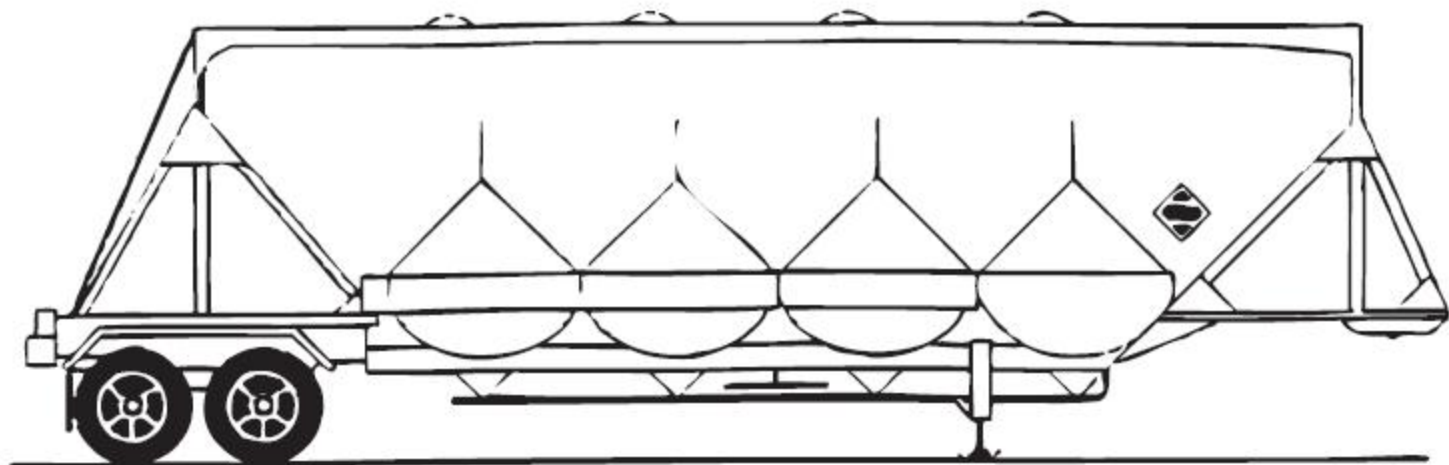
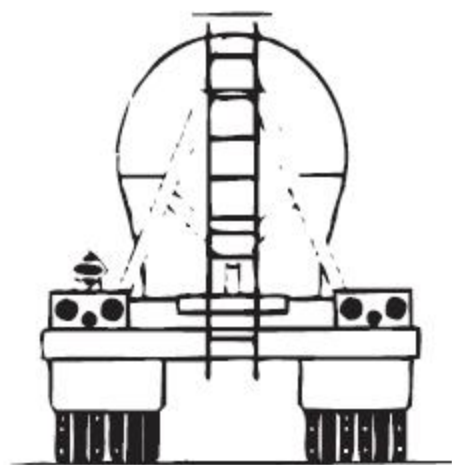
DOT407, TC407, SCT-307
Low Pressure Chemical Tank





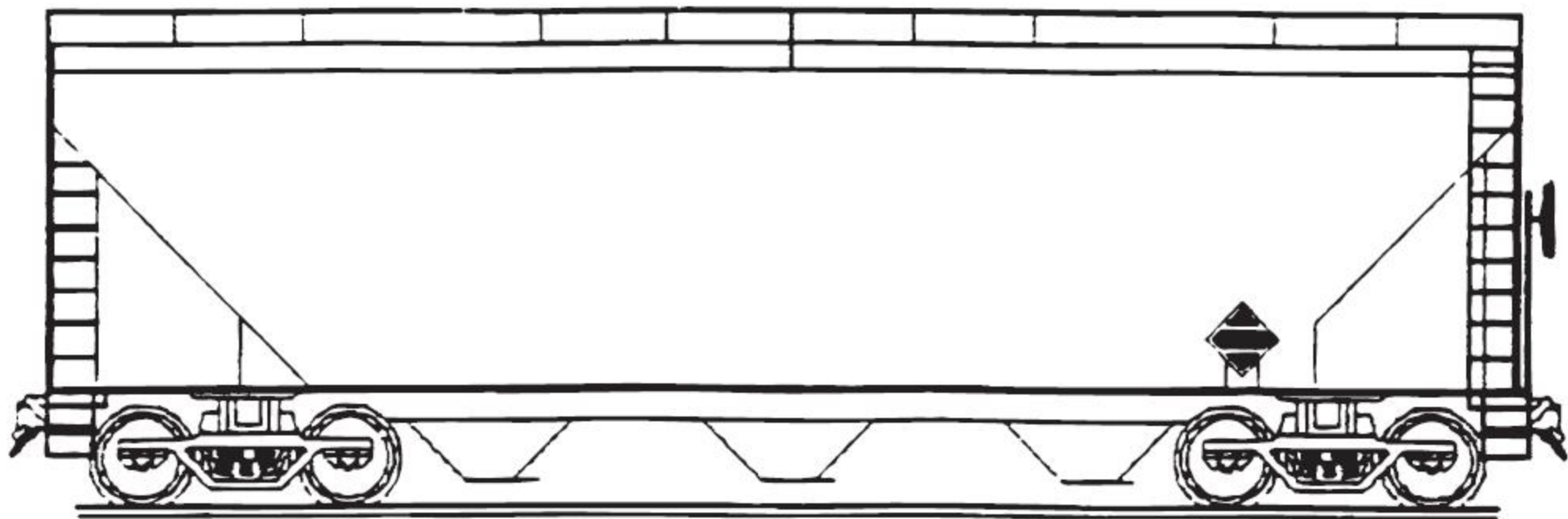
DOT412, TC412, SCT-312
Corrosive Liquid Tank





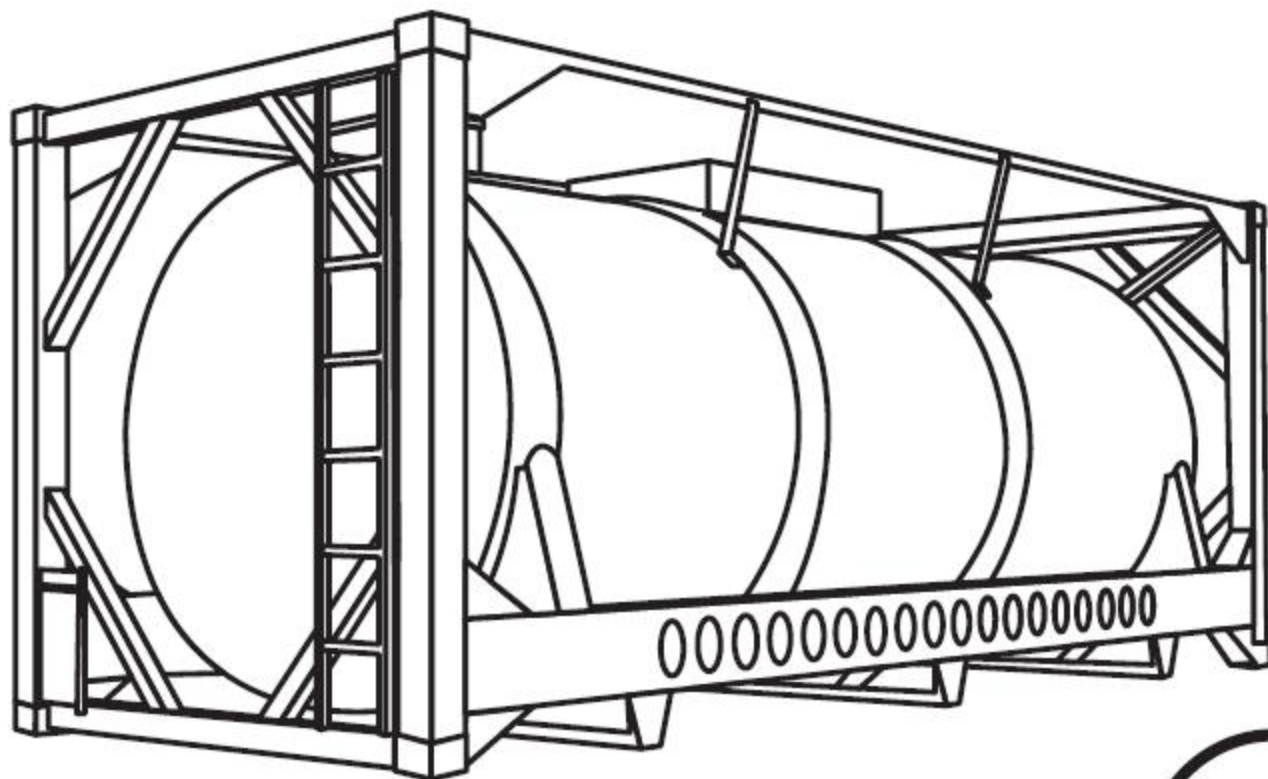
**Dry Bulk Cargo
Trailer**

134



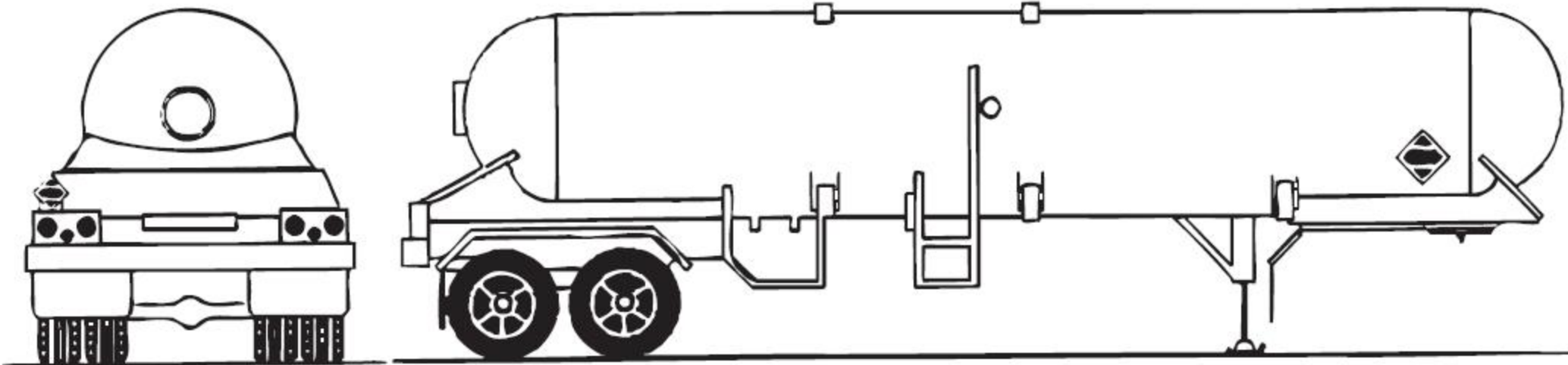
**Hopper Car
Dry Bulk**

140



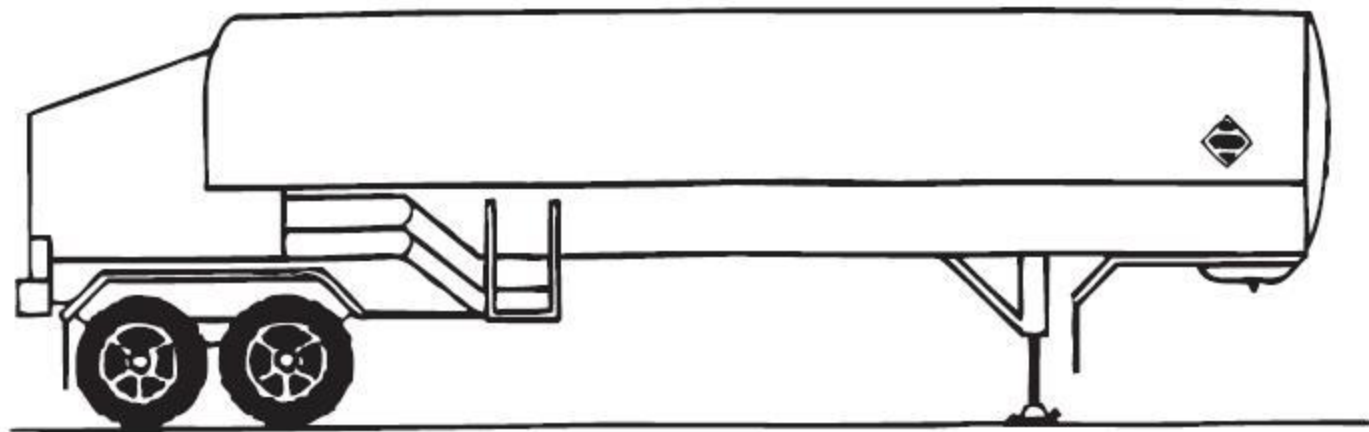
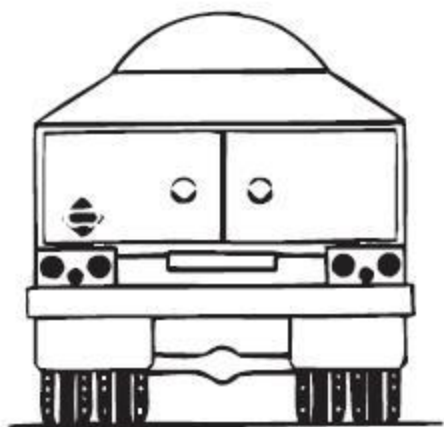
Intermodal Tank

117



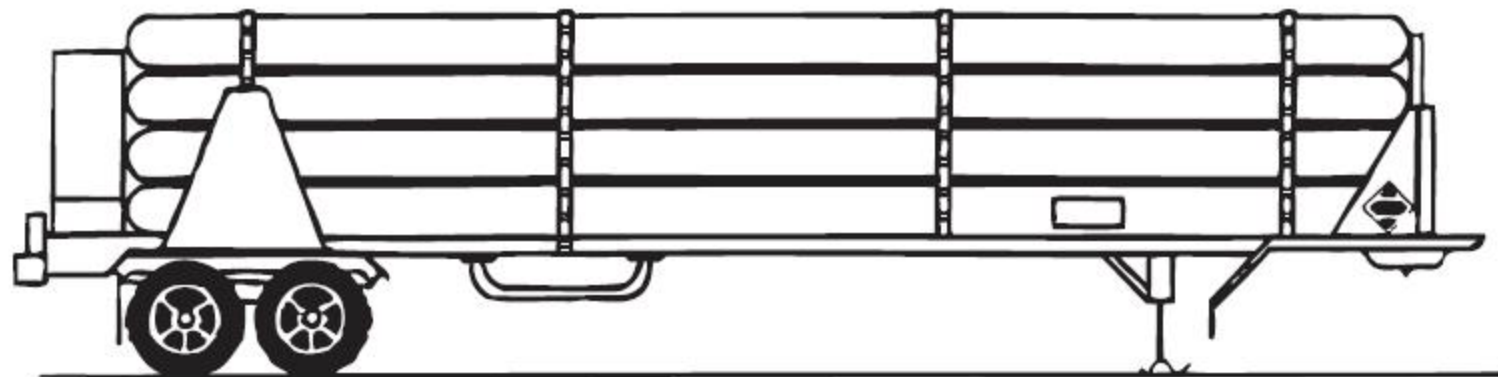
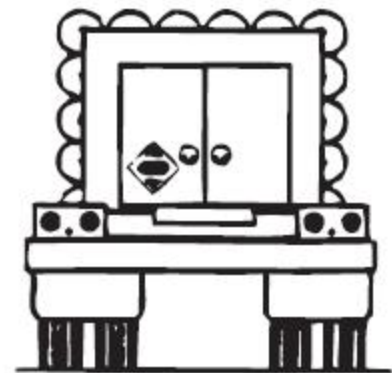
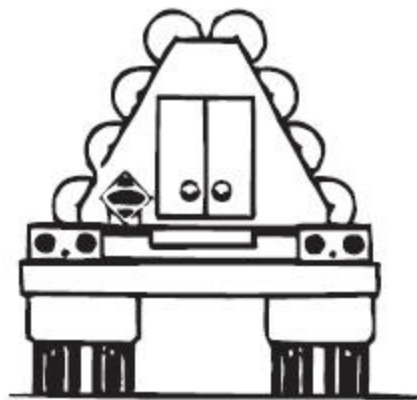
MC331, TC331, SCT-331
High Pressure Tank





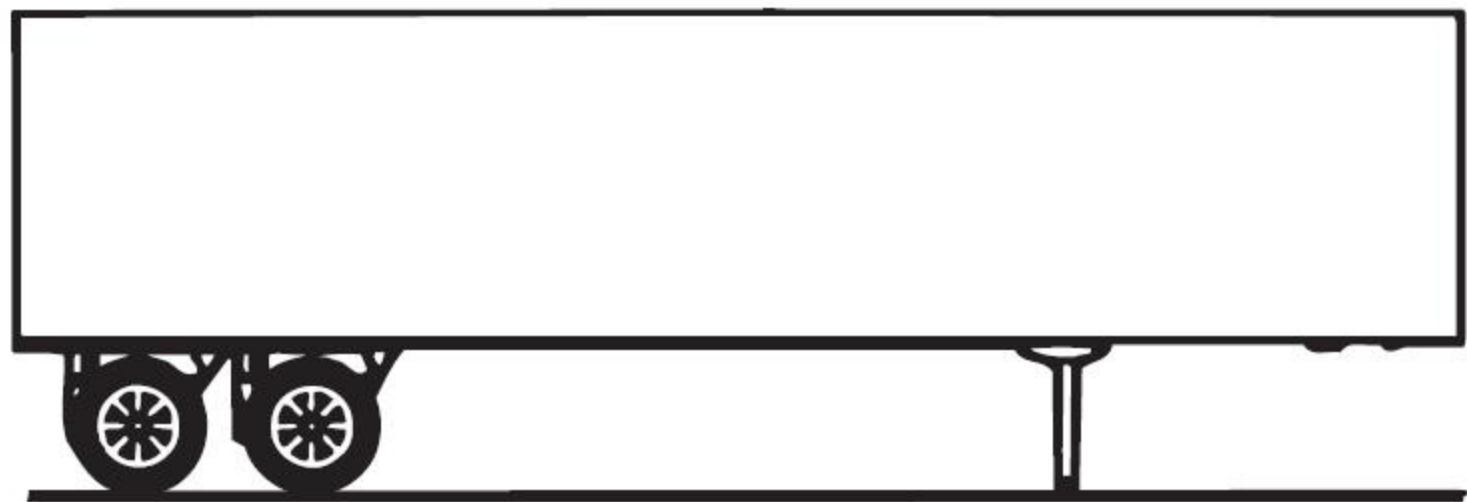
MC338, TC338, SCT-338
Cryogenic Liquid Tank





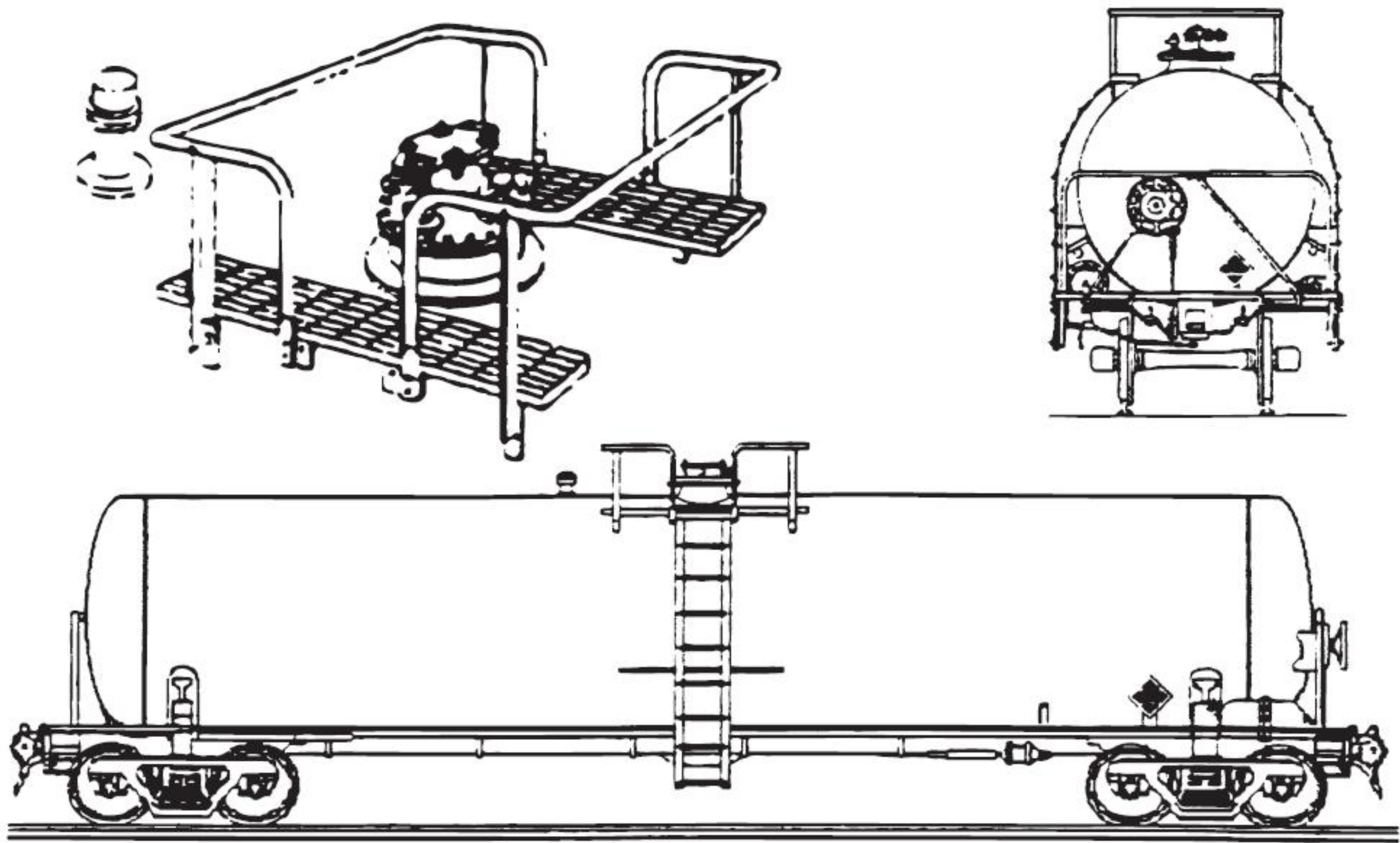
**Compressed Gas/
Tube Trailer**





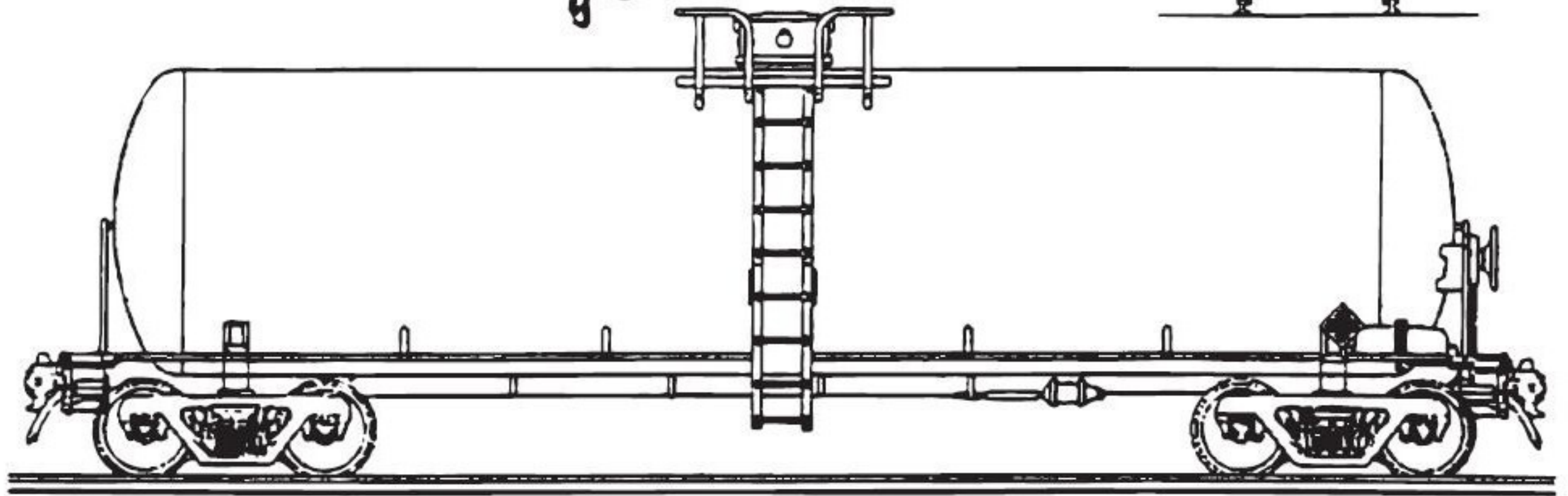
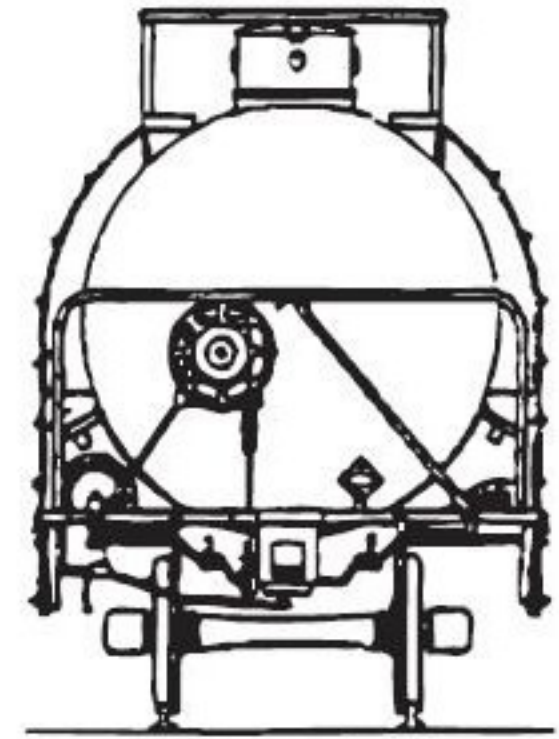
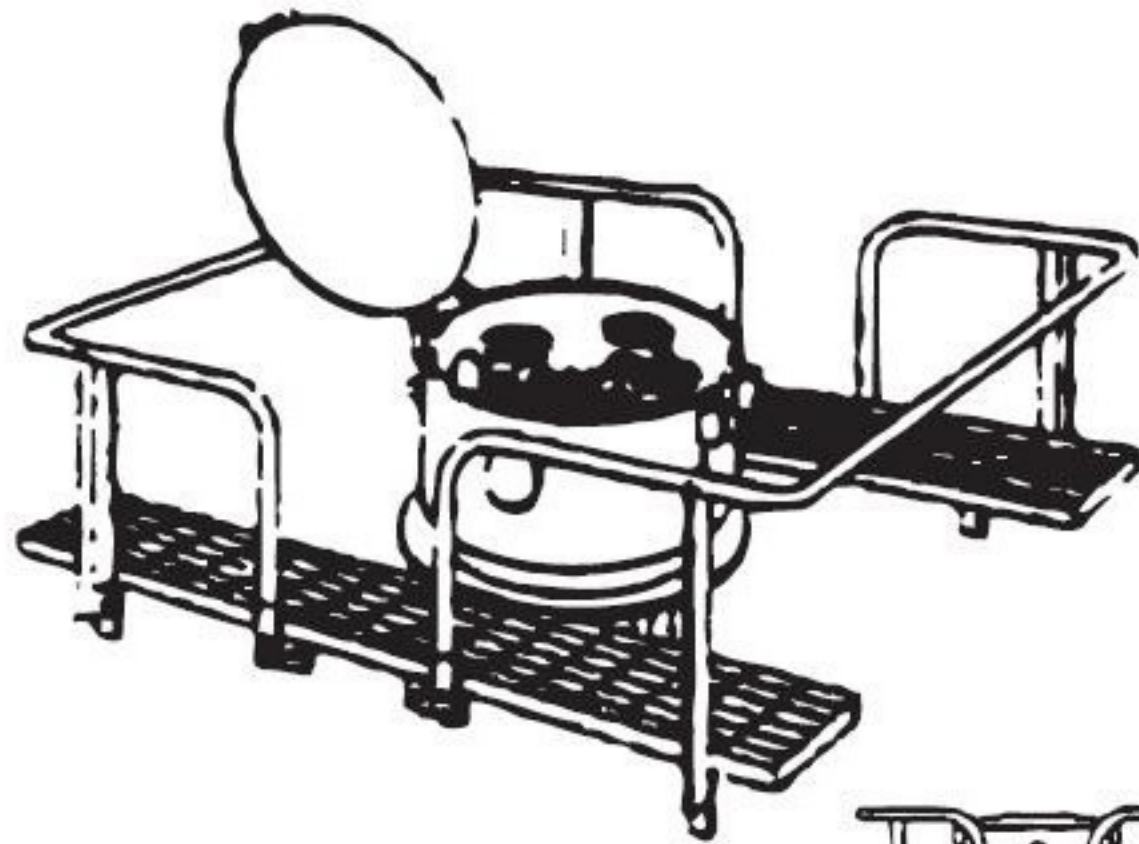
Mixed Cargo

111



**Low Pressure Tank Car
Liquids**

131



**Pressure Tank Car
Compressed Liquefied Gases**

117

